

*It is ordered:*

1. The responsive applications in STB Finance Docket No. 33556 (Sub-Nos. 2 and 3) are accepted for consideration, and are consolidated for disposition with the primary application in STB Finance Docket No. 33556 (and the embraced Sub-No. 1 proceeding), subject to the requirement that OMR file the supplemental information outlined in this decision no later than December 1, 1998.

2. The parties shall comply with all provisions as stated above.

3. The motion in ECA-8 to reclassify as confidential the public version of ECA's comments filed on October 27, 1998, is granted.

4. This decision is effective on November 17, 1998.

Decided: November 10, 1998.

By the Board, Chairman Morgan and Vice Chairman Owen.

**Vernon A. Williams,**

*Secretary.*

[FR Doc. 98-30704 Filed 11-16-98; 8:45 am]

BILLING CODE 4915-00-P

## DEPARTMENT OF THE TREASURY

[Treasury Order Number 101-05]

### Reporting Relationships and Supervision of Officials, Offices and Bureaus, Delegation of Certain Authority, and Order of Succession in the Department of the Treasury

Dated: October 29, 1998.

By virtue of the authority vested in the Secretary of the Treasury, including the authority vested by 31 U.S.C. 321(b), and Executive Order (E.O.) 11822, dated December 10, 1974, it is ordered that:

1. The Deputy Secretary shall report directly to the Secretary.

2. The Chief of Staff shall report directly to the Secretary and shall exercise supervision over the Director, Secretary's Scheduling Office, and the Executive Secretary.

3. The Executive Secretary shall report directly to the Chief of Staff and shall exercise supervision over the functions of the Executive Secretariat Correspondence Unit; the Office of Public Correspondence; and, for purposes of administrative and

managerial control, over the Special Assistant to the Secretary (National Security). The Special Assistant to the Secretary (National Security) shall report to the Secretary and the Deputy Secretary.

4. The following officials shall report through the Deputy Secretary to the Secretary and shall exercise supervision over those officers and organizational entities set forth on the attached organizational chart:

Under Secretary (International Affairs)  
Under Secretary (Domestic Finance)  
Under Secretary (Enforcement)  
General Counsel

Assistant Secretary (Legislative Affairs and Public Liaison)

Assistant Secretary (Public Affairs)

Assistant Secretary (Economic Policy)

Assistant Secretary (Tax Policy)

Inspector General

Assistant Secretary (Management) and Chief Financial Officer

Commissioner of Internal Revenue

Comptroller of the Currency

Director, Office of Thrift Supervision

5. The Assistant Secretary (Management) serves as the Department's Chief Financial Officer pursuant to Chapter 9 of Title 1, U.S.C., and serves as the Department's Chief Operating Officer for purposes of the Presidential Memorandum, "Implementing Management Reform in the Executive Branch," dated October 1, 1993.

6. The Deputy Assistant Secretary (Information Systems) reporting to the Assistant Secretary (Management) and Chief Financial Officer is designated as the Department's Chief Information Officer pursuant to Division E of the Clinger-Cohen Act of 1996, and E.O. 13011, dated July 16, 1996, and shall have direct access to the Secretary to the extent required by that Act and related statutes.

7. The Deputy Secretary is authorized, in that official's own capacity and that official's own title, to perform any functions the Secretary is authorized to perform and shall be responsible for referring to the Secretary any matter on which action would appropriately be taken by the Secretary. Any action heretofore taken by the Deputy Secretary in that official's own title is hereby affirmed and ratified as the action of the Secretary.

8. The Under Secretaries, the General Counsel, and the Assistant Secretaries are authorized to perform any functions the Secretary is authorized to perform. Each of these officials will ordinarily perform under this authority only functions which arise out of, relate to, or concern the activities or functions of, or the laws administered by or relating to, the bureaus, offices, or other organizational units over which the incumbent has supervision. Each of these officials shall perform under this authority in the official's own capacity and the official's own title and shall be responsible for referring to the Secretary any matter on which action would appropriately be taken by the Secretary. Any action heretofore taken by [the Deputy Secretary or] any of these officials in that official's own title is hereby affirmed and ratified as the action of the Secretary.

9. The following officials shall, in the order of succession indicated, act as Secretary of the Treasury in case of the death, resignation, absence or sickness of the Secretary and other officers succeeding the incumbent, until a successor is appointed, or until the absence or sickness shall cease:

a. Deputy Secretary;

b. The following individuals, in the order of the date on which they were first appointed to a position within the Department requiring appointment by the President by and with the advice and consent of the Senate:

- Under Secretary (International Affairs);

- Under Secretary (Domestic Finance); and

- Under Secretary (Enforcement);

c. General Counsel; and

d. Assistant Secretaries, appointed by the President with Senate confirmation, in the order designated by the Secretary.

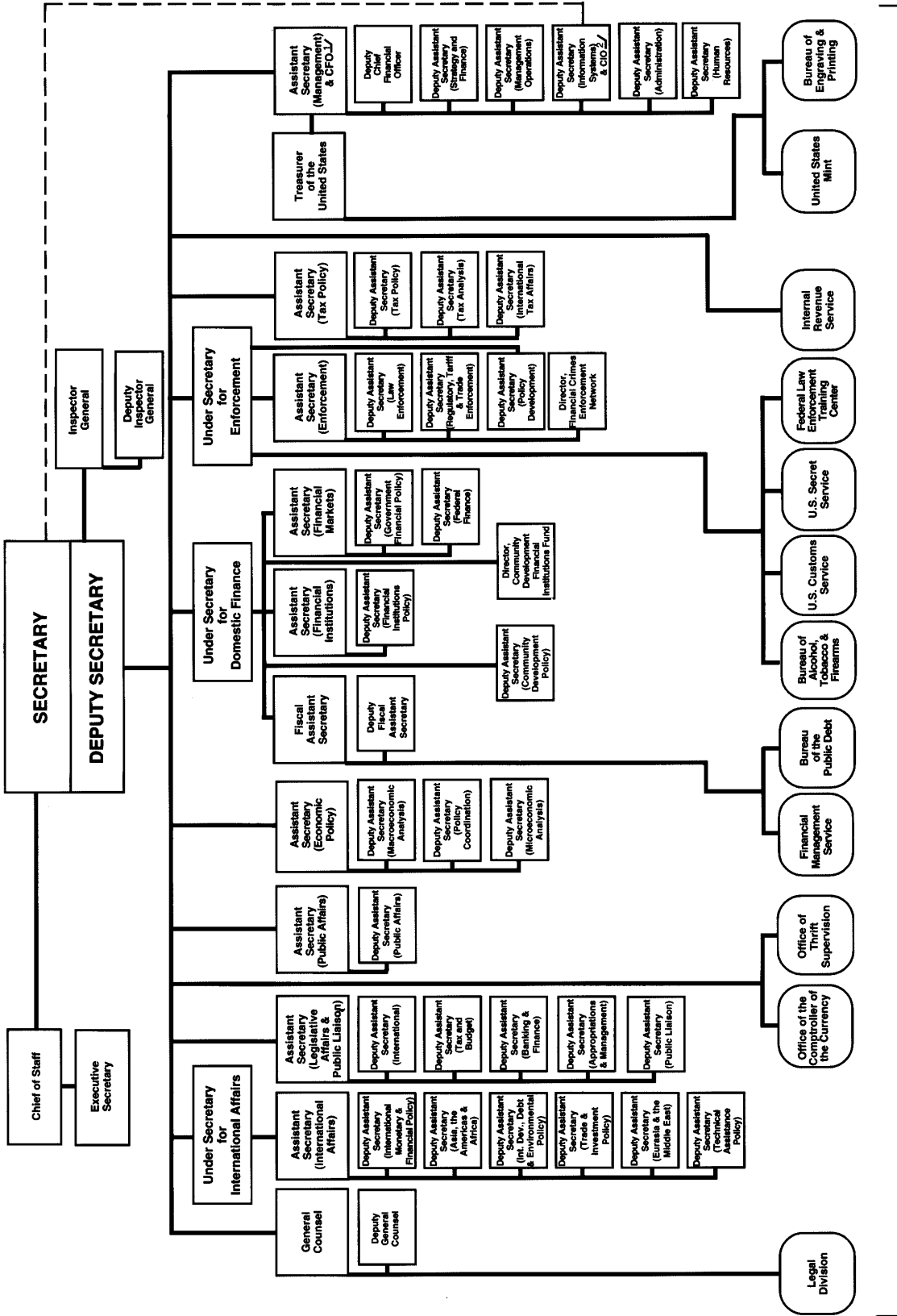
10. *Cancellation.* Treasury Order 101-05, "Reporting Relationships and Supervision of Officials, Offices and Bureaus, Delegation of Certain Authority, and Order of Succession in the Department of the Treasury," dated May 4, 1995, is superseded as of this date.

**Robert E. Rubin,**

*Secretary of the Treasury.*

## Attachment

THE DEPARTMENT OF THE TREASURY



TREASURY BUREAUS

1/ Assistant Secretary (Management) and Chief Financial Officer is Treasury's Chief Operating Officer.

2/ Deputy Assistant Secretary (Information Systems) is the Chief Information Officer (CIO)

